

800SS

PREMIUM SINGLE SIDED FIREPLACE



ecosmart⁺
Fire

Our diverse collection of bioethanol fireplace inserts are ideal for creating stunning wall or cabinetry features or an easy way of converting an existing traditional fireplace to a clean burning bioethanol fireplace. Installation is a breeze with all the clearances built into the design for you.

EcoSmart Fire's extensive range of fireplaces allow you to create a fire design specific to your requirements.

INDICATIVE MODEL SHOWN BELOW

Global Compliance

These models comply with existing standards in the USA, Europe, UK and Australia. UL Listed, EN 16647 BSI Certified, ACCC Safety Mandate compliant.

Quality that will Last a Lifetime

Intelligently designed for optimum heat output, flame enhancement and safety, our high quality stainless steel fireplace inserts will last a lifetime.

The fireplace and burner are made from grade 304 rust resistant stainless steel.

No Flue or Chimney Needed

Our fireplaces don't need a chimney to vent harmful gases as burning liquid bioethanol doesn't produce any smoke.

No Gas or Electricity

All the fuel is housed within the self-contained burner so you don't have to run pipes or cables through your walls.



Colour

Available in stainless steel with stainless steel burners.

Quick & Easy Installation

EcoSmart fireplace inserts are completely self-contained, which makes them much simpler to install than gas or wood burning fireplaces. No flashing, roof work or plumbing is required for installation.

The pre-drilled holes make fixing the fireplace into position quick and easy - then dress around the fireplace with your chosen finishing touch.

Wind Screen

Removable fireplace screen made from low-iron toughened glass.

OPTIONAL ACCESSORIES



Fire Screens



Echo Fixings

Disclaimer. All product specifications and data are subject to change without notice and believed to be correct at the time of publication. MAD Design Group (MDG), its affiliates, agents, and employees, and all persons acting on its or their behalf (collectively, "MAD Design Group"), disclaim any and all liability for any errors, inaccuracies or incompleteness contained herein or in any other disclosure relating to any product. MDG disclaims any and all liability arising out of the use or application of any product described herein or of any information provided herein to the maximum extent permitted by law. The product specifications do not expand or otherwise modify MDG's terms and conditions of purchase, including but not limited to the warranty expressed therein, which apply to these products. No license, express or implied, by estoppel or otherwise, to any intellectual property rights is granted by this document or by any conduct of MDG. Customers using or selling MDG products not expressly indicated for use in such applications do so entirely at their own risk and agree to fully indemnify MDG for any damages arising or resulting from such use or sale. Please contact authorised personnel from MDG to obtain written terms and conditions regarding products designed for such applications. Images are indicative only.

800SS



Application	Indoor & Outdoor
Materials	Grade 304 Stainless Steel, Toughened Glass
Weight	29.2kg [64.3lbs] Weight includes burner.
Colour & SKU	■ Stainless Steel ESF.2.F.800SS
Optional Accessories	Fire Screens, Echo Fixings

BURNER INFORMATION*

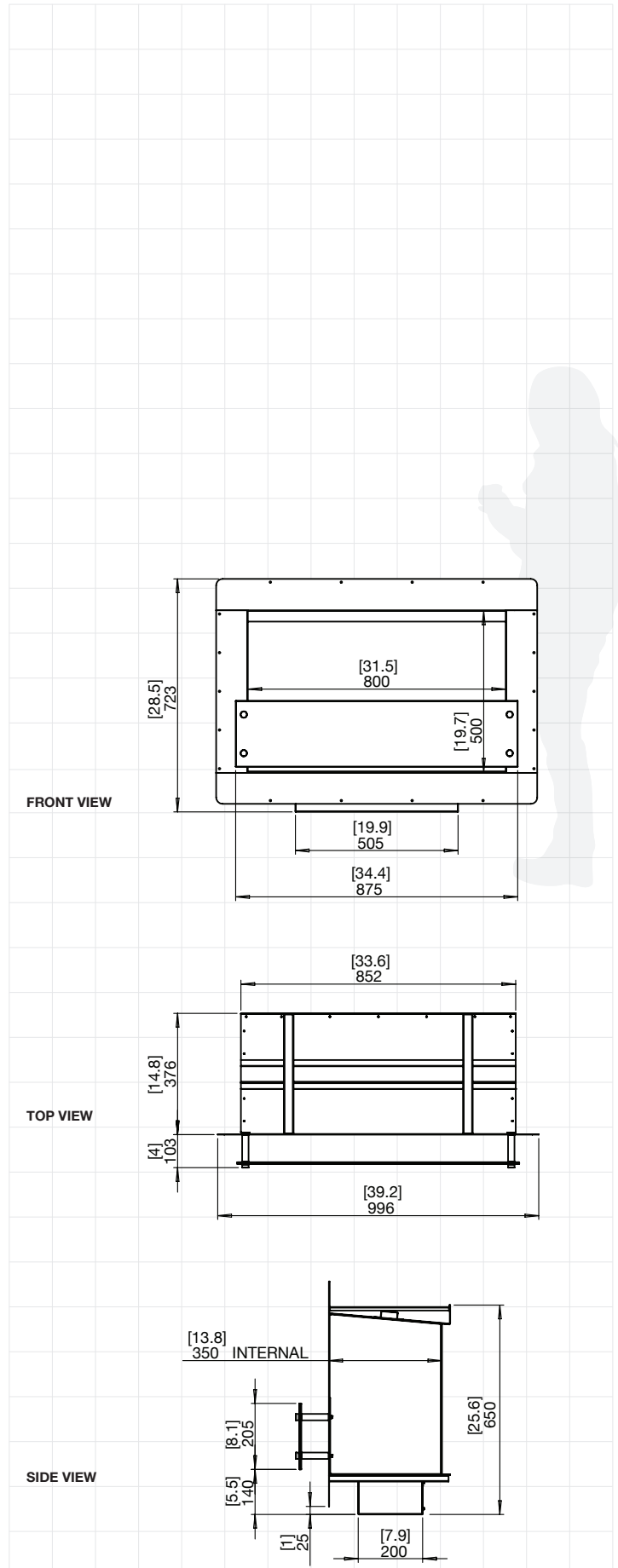
Burner	XL500
Fuel Type	e-NRG Bioethanol
Fuel Capacity	5 Litres [1.3 Gallons]
Heats on Average (when used indoors)	Over 40 square metres [430.6 square feet]
Burn Time	10 - 13 hours (approx)
Minimum Room Size	80 cubic metres [2825 cubic feet] per fireplace.

Physical model dimensions should be verified against cut out dimensions BEFORE installation begins to confirm tolerances align.

*These values are indicative only and may vary depending on the model purchased, installation, and the seasonal resource used to manufacture e-NRG.

Global Compliance

This model complies with existing standards in the USA, Europe, UK and Australia. UL Listed, EN 16647 BSI Certified, ACCC Safety Mandate compliant.



FOR MORE INFORMATION PLEASE REFERENCE THE CLEARANCE & INSTALLATION MANUAL

Disclaimer: All product specifications and data are subject to change without notice and believed to be correct at the time of publication. MAD Design Group (MDG), its affiliates, agents, and employees, and all persons acting on its or their behalf (collectively, "MAD Design Group"), disclaim any and all liability for any errors, inaccuracies or incompleteness contained herein or in any other disclosure relating to any product. MDG disclaims any and all liability arising out of the use or application of any product described herein or of any information provided herein to the maximum extent permitted by law. The product specifications do not expand or otherwise modify MDG's terms and conditions of purchase, including but not limited to the warranty expressed therein, which apply to these products. No license, express or implied, by estoppel or otherwise, to any intellectual property rights is granted by this document or by any conduct of MDG. Customers using or selling MDG products not expressly indicated for use in such applications do so entirely at their own risk and agree to fully indemnify MDG for any damages arising or resulting from such use or sale. Please contact authorised personnel from MDG to obtain written terms and conditions regarding products designed for such applications. Images are indicative only.